



CAT6 LOW PROFILE UNSHIELDED LJ6C PCB MODULE



Technical information

Features:

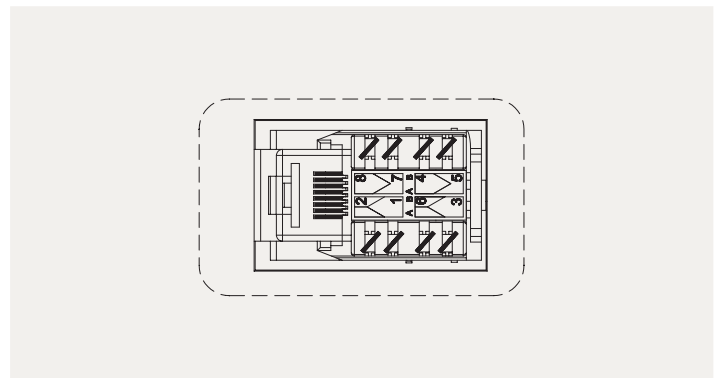
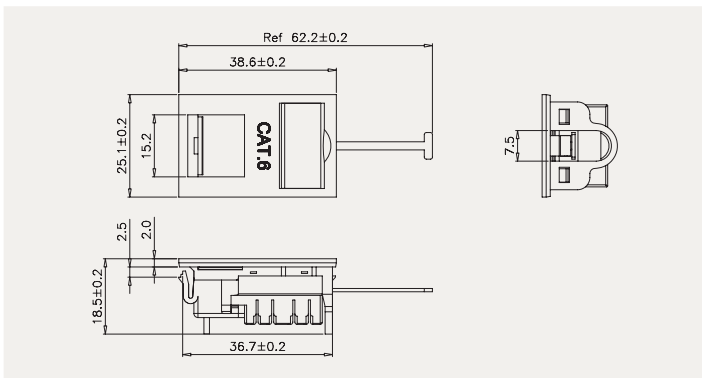
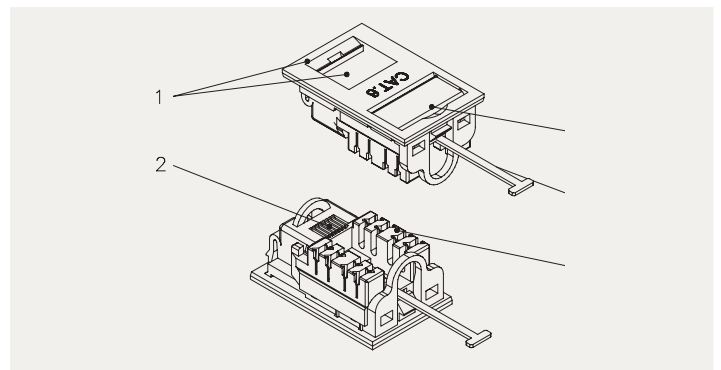
- ◆ Hinged label window
- ◆ 20mm deep
- ◆ 568B wiring
- ◆ LSA punchdown
- ◆ Cat6 ISO11801 Class E or EN50173 Class E
- ◆ 25 year Ultima Warranty System

Material

| | |
|--------------------------------------|--|
| 1. Modular Frame & RJ45 Jack Housing | ABS, UL 94-HB |
| 2. RJ45 Jack Contact | Material: Phosphor bronze, nickel plated. Finish: 50 micron gold plated on plug contact area |
| 3. IDC | Housing: PC+Glass fibre, UL 94V-2. Terminal: Phosphor bronze, tin plated |
| 4. Cable Holder | PP, UL 94V-2 |
| 5. Identification Plate | Polycarbonate, UL 94V-0, transparent colour |
| 6. Dust Cover | ABS, UL 94-HB, white colour |
| 7. PCB | FR4, UL 94V-0 |

Performance

| | |
|-----------------------|---|
| Wiring specification | T568A & T568B |
| Insertion force | 20N max. |
| Retention strength | 7.7 kg between Jack and Plug |
| Operating temperature | -10°C to 60°C |
| Life (mating cycles) | Jack: 750 cycles min. IDC : Suitable for 22-26 AWG solid wire, compatible with LSA punchdown tools |



Part Number

| Item | Description | Type | Style |
|--------|--------------------|------------|-------|
| 779331 | Low Profile Module | UnShielded | LJ6C |