



CAT6 KEYSTONE JACK

Technical information



Features:

◆ Cat6 ISO11801 Class E or EN50173 Class E

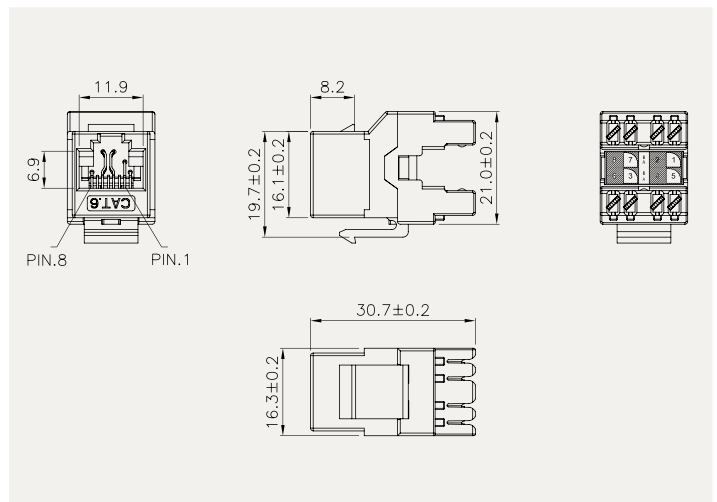
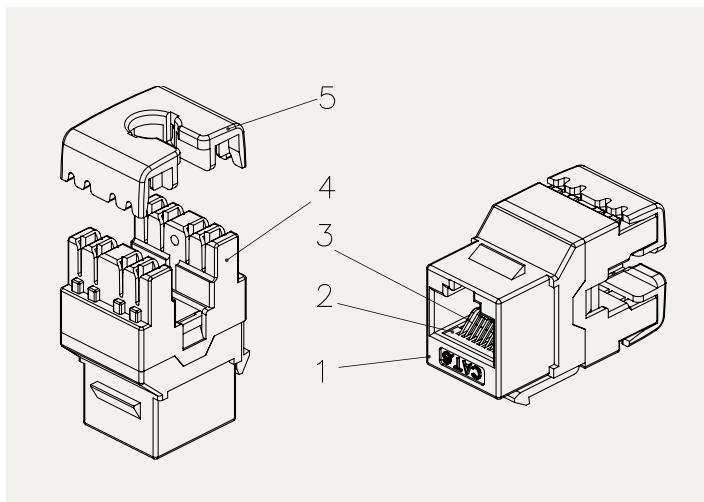
◆ 25 year Ultima System Warranty

Material

1. RJ45 Jack Housing	ABS+PC, UL 94V-0, white colour
2. Contact Bracket	PC, UL 94V-2, transparent colour
3. RJ45 Jack Contact	Material: Phosphor bronze, nickel plated. Finish: 50 micron gold plated on plug contact area
4. IDC	Housing: PC+Glass fibre, UL 94V-2. Terminal: Phosphor bronze, tin plated
5. IDC Cap	ABS, UL 94V-0
6. PCB	FR4, UL 94V-0

Performance

Wiring specification	T568A & T568B
Insertion force	20N max.
Retention strength	7.7 kg between jack and plug
Operating temperature	-10°C to 60°C
Life (mating cycles)	Jack: 750 cycles min. IDC : Suitable for 22-26 AWG solid wire, compatible with both 110 and LSA punchdown tools



Part Number

Item	Description	Type
781935	Jack	UnShielded



Compliance Statement

Unscreened Category 6 ISO/IEC, EN & TIA Connecting Hardware

Comtec P/N Ultima cat6 Keystone Jack 781935
Category 6, Unscreened Keystone Jack
Electrical Transmission Performance

Comtec Cable Accessories Ltd.
Cardinal Way, Cardinal Distribution Park,
Godmanchester, Huntingdon, PE29 2XN, England

Compliance Statement No. 113764

This Unscreened ISO/IEC, EN & TIA Connecting Hardware having board identification "KJ18 A0128 H 12", has been tested by 3P Third Party Testing and complies with the Category 6 transmission requirements of edition 2.2 of ISO/IEC 11801, CENELEC EN 50173-1:2011, ANSI/TIA 568-C.2 and 2nd edition IEC 60603-7-4. The requirements are passed using the total range of re-embedded vectors specified in ANSI/TIA-568-C.2 and IEC 60512-27-100. The qualification activity includes factory and assembly line inspection. The Compliance Statement may be suspended or withdrawn if the keystone jack fails to pass a Maintenance Testing performed at 12 month intervals.

Hoersholm, 6th July 2012

A handwritten signature in blue ink, appearing to read "Ole Lambertsen", written over a horizontal line.

Ole Lambertsen
Test Responsible

Hoersholm, 6th July 2012

A handwritten signature in blue ink, appearing to read "Poul Villien", written over a horizontal line.

Poul Villien
Coordinating Manager